



CERTIFICATION OF POWERED LIFT TRUCK OPERATORS

No. 159
DATE: April 1999

The Workplace Safety Regulation M.R. 108/88R has been amended to include the requirement for training and certification of powered lift truck operators. Employers are now required to ensure that workers have received instruction, training and testing in the operation of powered lift trucks. Workers must be familiar with the operating procedures of the truck that they will be operating and able to demonstrate competency in accordance with the Code of Practice for The Safe Operation of Powered Lift Trucks.

POWERED LIFT TRUCKS are defined as self propelled vehicles designed to allow the operator to lift, carry and unload a load, and vehicles of Class 1 -7 as defined by the Industrial Truck Association. Examples of the types of vehicles include Electric Motor Rider Trucks, Electric Motor Narrow Aisle Trucks, Electric Motor Hand Trucks, Internal Combustion Engine Trucks and Rough Terrain Fork Lift Trucks. Manually propelled Hand Pallet Trucks are not included.

The Code identifies the knowledge and skills to be acquired before an operator can be considered competent to operate a Powered Lift Truck, examples include:

<p>KNOWLEDGE: A competent operator knows/understands:</p> <ul style="list-style-type: none"> ✓ How to ensure the safety of other workers in the area. ✓ Requirements for lifting devices, material handling, traffic control. ✓ Lift truck stability triangle and trapezoid. ✓ Centre of gravity of load. ✓ The effects of speed, acceleration, sharp cornering, etc. ✓ Main components of the lift truck with emphasis on the lifting/handling systems and their basic functions. ✓ Factors affecting stability, reach/retract, counterbalance principles, tilt. ✓ The location of the capacity plate and the information outlined on the plate. ✓ Where to access the Operator Manual. ✓ The hazards associated with the workplace in which he/she will be working including dangerous activities, conditions, emergency procedures and workplace specific rules and procedures. 	<p>SKILLS: A competent operator is able to perform the following procedures using the device he/she will be assigned and under typical workplace conditions:</p> <ul style="list-style-type: none"> ✓ Pre-operational check including visual inspection and recommended procedures for daily inspections of fluid levels. ✓ Start-up: mounting the truck and appropriate driving position. ✓ Starting, stopping and turning: allows sufficient room for turning corners, operates at low speed when turning, uses appropriate steering techniques when turning in confined and limited spaces. ✓ Shut down: brings vehicle to complete stop, sets parking brake, lowers forks to ground and tilts them forward. ✓ Forward and reverse driving on level ground. ✓ Forward and reverse driving on inclines, ramps or uneven terrain. ✓ Operating around personnel. ✓ Load Handling: selection and security of loads, pick-up and placement, personnel lifting, stacking and de-stacking. ✓ Loading and unloading: transport vehicles, structures, elevators. ✓ Operational Maintenance, refueling, recharging where appropriate.
---	---

CERTIFICATION OF POWERED LIFT TRUCK OPERATORS

Once a worker has met the requirements specified in the Code of Practice an employer may issue a certificate. Appropriate information to be displayed on a certificate would include:

- Company name
- Worker name
- Instructor's name and signature
- Class and capacity of equipment
- Date of completion


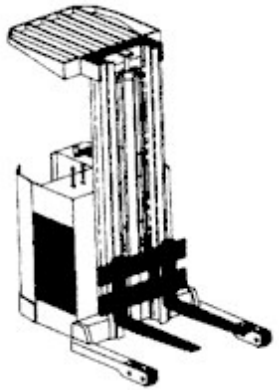
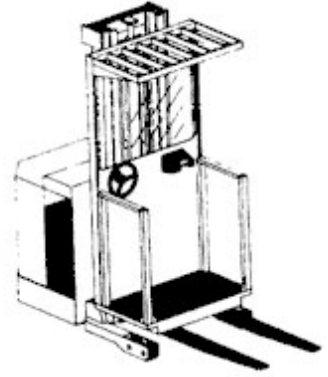
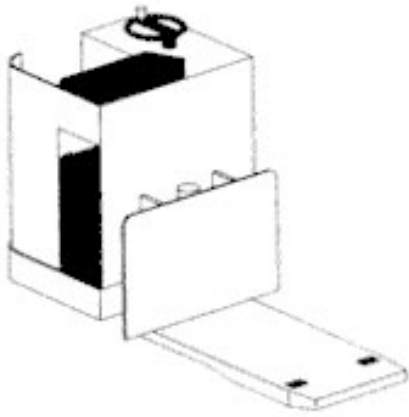
Training agencies and private consultants may be of assistance to employers. A list of individuals and firms providing training is available from the Workplace Safety and Health Branch. The list is for information purposes only and does not imply endorsement of any Company's training program or facilities. The employer is legally responsible under the Workplace Safety and Health Act to ensure each operator is adequately trained and demonstrates competency prior to the certificate being issued.

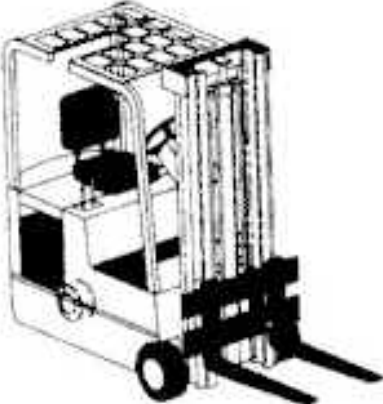
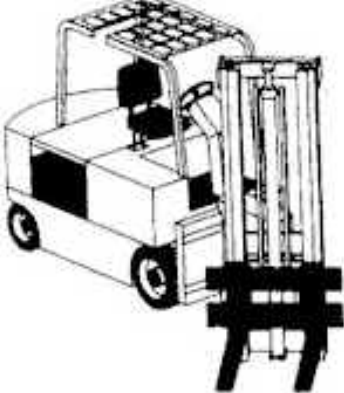
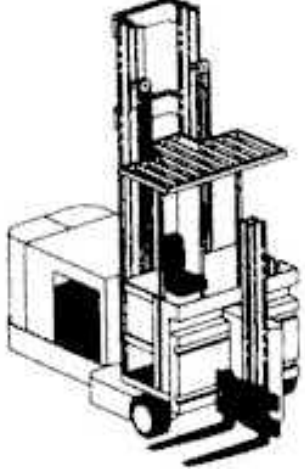
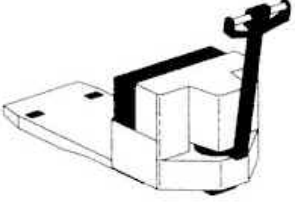
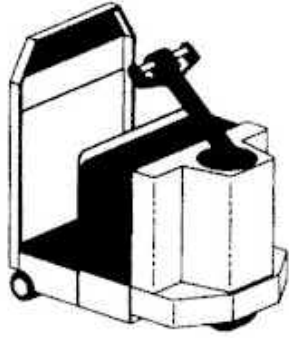
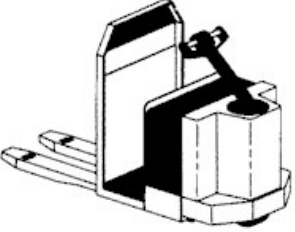
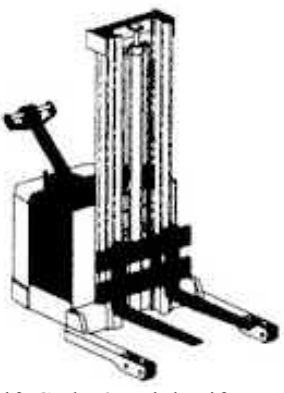
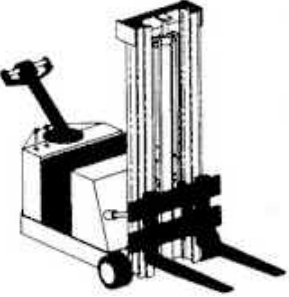
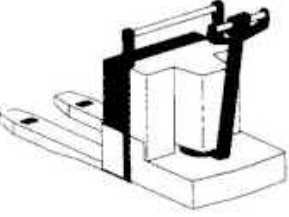
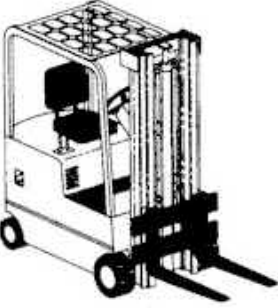

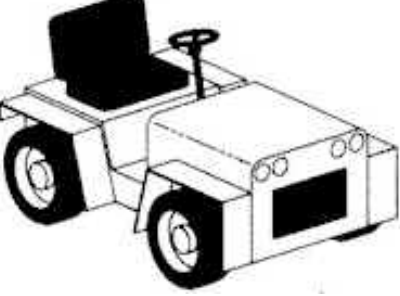
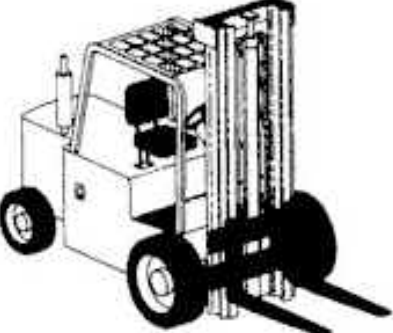
An employer who issues a certificate shall establish an evaluation system to ensure that the worker maintains competency in the operation of the truck as well as maintain a record of training and be able to produce a copy of the certificate and record on the request of a safety and health officer.

An EVALUATION SYSTEM will assess lift truck operators knowledge and skills on an ongoing basis. It will also identify the intervals at which refresher courses will be held as well as the circumstances that may warrant additional training. (Example, when new equipment is purchased or modified or an accident or incident has occurred attributable to operator error)

A copy of the amendment and Code of Practice for the Safe Operation of Powered Lift Trucks may be obtained from Statutory Publications (945-3101).

Industrial Truck Classifications

<p>Class I - Electric Motor Rider Trucks</p>  <p>Lift Code 1 - Counterbalance Rider Type, Stand-Up</p>	<p>Class II - Electric Motor</p>  <p>Lift Code 1 - High Lift Straddle</p>	<p>Narrow Aisle Trucks</p>  <p>Lift Code 2 - Order Picker</p>
 <p>Lift Code 6 - Low Lift Pallet</p>		

 <p>Lift Code 4 - Three Wheel electric trucks, Sit Down Lift Code 5 - Counterbalance Rider, Cushion Tire, Sit Down</p>	 <p>Lift Code 4 - Sideloaders High Lift Pallet</p>	 <p>Lift Code 6 - Turret</p>	
<p>Class III - Electric Motor Hand Trucks</p>			
 <p>Lift Code 1 - Low Lift Platform or Lift Code 2 - Low Lift Walkie Pallet</p>	 <p>Lift Code 3 - Tractor</p>	 <p>Lift Code 4 - Low Lift Walkie/Center Control</p>	 <p>Lift Code 6 - High Lift Straddle</p>
 <p>Lift Code 7 - High Lift Counterbalance</p>	 <p>Lift Code 8 - Low Lift Walkie/Rider Pallet and End Control</p>	<p style="text-align: center;">Class IV - Internal Combustion Engine</p>  <p>Lift Code 3 - Fork, Counterbalance, Cushion Tire</p>	
<p>Class V - Internal Combustion Engine Trucks - Pneumatic Tires Only</p>  <p>Lift Code 4 - Fork Counter balance, Pneumatic Tire</p>	<p>Class VI - Electric and Internal Combustion Engine Tractors</p>  <p>Lift Code 1 - Sit Down Rider</p>	<p>Class VII - Rough Terrain Fork Lift Truck</p>  <p>Lift Code 1 - All Rough Terrain Fork Lift Trucks</p>	

The Industrial Truck Association has established classifications for all industrial trucks. The following illustrations are reproduced from the Operator Training manual S.A.F.E LIFT - Safety Awareness for Forklift Equipment - Liftow, IAPA [and] Toyota Industrial Equipment. Canadian Edition.